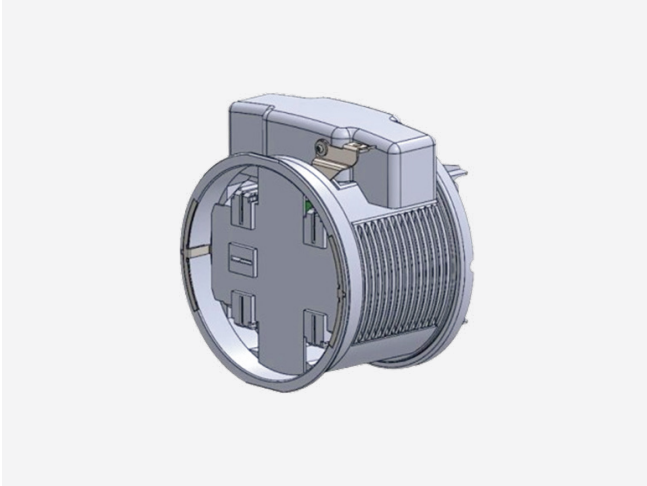


Meter Backup Switch

The Meter Backup Switch is an Automatic Transfer Switch (ATS) that is compatible with the EcoFlow home energy storage system OCEAN Pro, and is capable of achieving off-grid and on-grid control of the home power grid. The Meter Backup Switch consists of two parts—a meter collar and a communication adapter box. The Meter Backup Switch automatically detects grid outages, providing a seamless transition to backup power. It communicates directly with EcoFlow OCEAN Pro, allowing home energy usage monitoring with the EcoFlow app.



	Items	Parameters
System Technical Specifications	Grid interface	United States
	Grid type	Split phase
	Nominal grid voltage (input & output)	120/240VAC
	Frequency	60 Hz
	Voltage detection (L1-L2)	+/-1% accuracy
	Rated current	200A
	Current detection	CT
	Current detection	+/-0.5% accuracy
	Relay switch time	<=15 ms
	Operating noise @1 m	<=40 dB
	Warranty	15 years
	Maximum power consumption	<=5W
Environmental Specifications	Operating temperature	-22°F to 140°F (-30°C to 60°C)
	Storage temperature	-22°F to 140°F (-30°C to 60°C)
	Relative humidity	0% to 100%, condensing
	Environment	Outdoor rated
	Enclosure rating	NEMA TYPE 3R
	Pollution rating	PD3
	Maximum elevation	9842 ft (3000 m)
Compliance Information	Certifications	System level: UL1741,UL9540,UL3141,UL1741 PCS,IEEE1547-islanding
	Emissions	FCC Part15 C